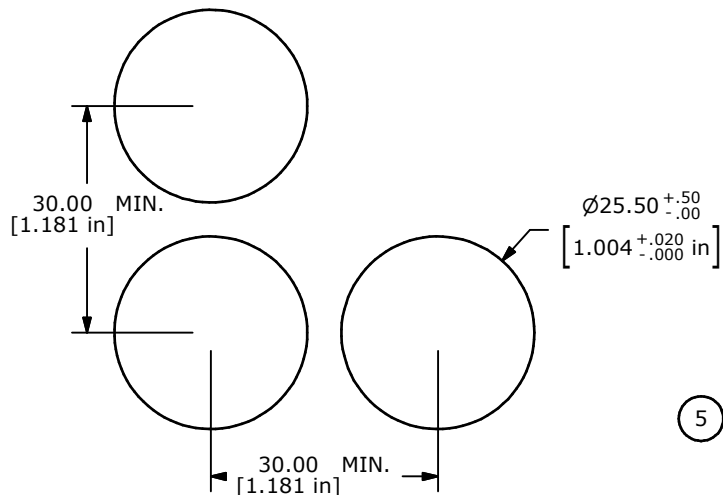
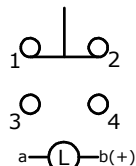


▲ Parts List

ITEM	QTY	PART NUMBER	DESCRIPTION
1	1	F060602	LASEEV110
2	1	F060251	25MM BLUE LENS SUB-ASSY (OPAQUE)
3	1	F051705	30MM FLUSH MOUNT RETAINER
4	1	F051704	30MM FLUSH MOUNT BEZEL
5	1	F050432	5000432 LAMP - LED 12VDC BLUE



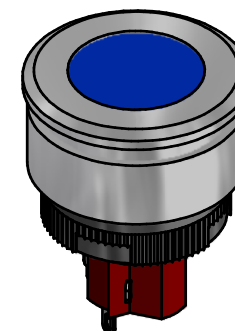
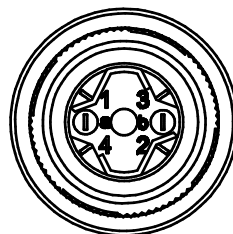
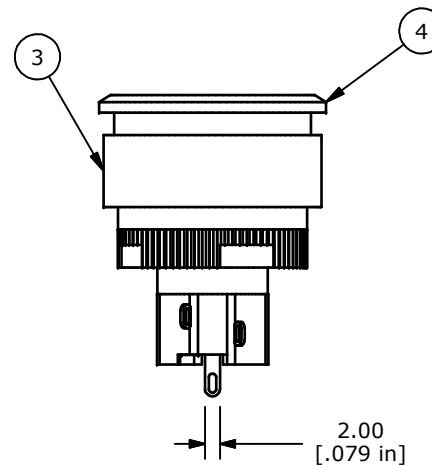
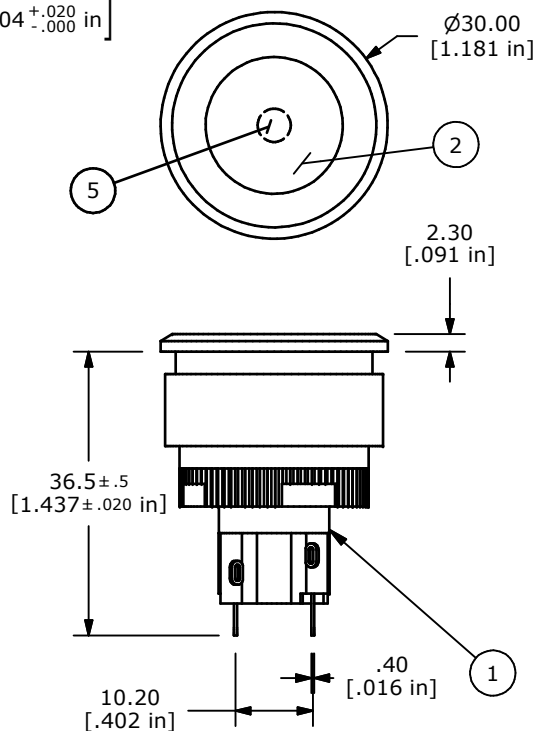
RECOMMEND PANEL MOUNTING



▲ SPDT

CONTACT CONFIGURATION

- NOTES:
- ALL DIMENSIONS IN MM [INCH].
 - GENERAL TOLERANCE: 0.0±0.4
0.00±0.25
 - TERM. NOS. FOR REF. ONLY.
 - RATING: 5A @250VAC
8A @125VAC
.2A @250VDC
6A @24VDC
 - INSULATION: 1,000 MΩ MIN.
 - DIELECTRIC STRENGTH: 2000V FOR 1 MIN.
 - SEALED TO IP65.
 - TRAVEL: 3.0MM FULL TRAVEL, 2.0MM LATCH
 - ELECTRICAL LIFE: >50,000 CYCLES
 - OPERATING TEMP: -25C TO +55C
 - PANEL THICKNESS: 0.5MM TO 3.0MM
 - ▲ LAMP : BLUE LED ; 12 VDC
 - ▲ DENOTES CRITICAL PARAMETER.
 - PACKAGE: BOX/10 PER
 - 2002/95/EC (ROHS) COMPLIANT



TITLE LASEEV31JBLUBLU				
SCALE	DATE	DR	DWG	REV
	12/10/2012	EBP	XF0774P	B